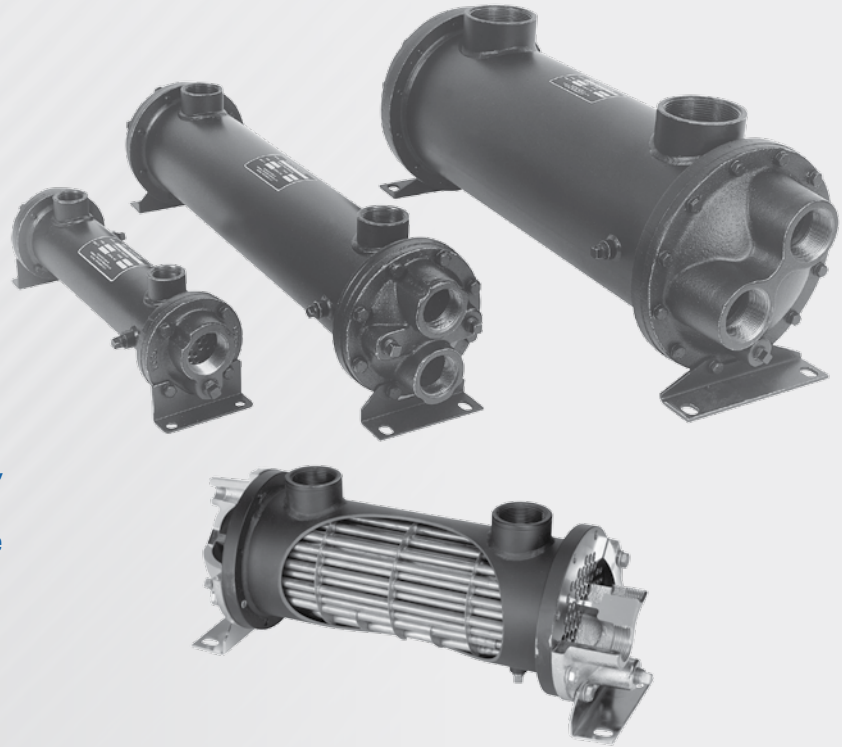


Fluid Cooling Shell & Tube C & SSC Series

**COPPER/STEEL OR
STAINLESS STEEL CONSTRUCTION**

Features

- API/BASCO Interchange
- Preferred for New Oil-Water Applications
- C-Series / SSC Series
- Rugged Steel Construction
- Low Cost
- Type 316 Stainless Steel Construction Optional
- Custom Designs Available
- Competitively Priced
- Optional Material Construction on C-Series: Tubes, Tubesheets, End Bonnets
- NPT, SAE O-Ring, SAE Flange, or BSPP Shell Side Connections Available
- End Bonnets Removable for Servicing
- Mounting Feet Included (May be rotated in 90° increments)
- Special ASME/TEMAC/CRN Ratings Available



Ratings Standard

Maximum Shell Pressure 300 psi
Maximum Tube Side Pressure 150 psi
Maximum Temperature 300°F

Ratings ASME Code

Maximum Shell Pressure 300 psi
Maximum Tube Side Pressure 150 psi
ASME Code SSC-1700 200 psi
Maximum Temperature 300°F

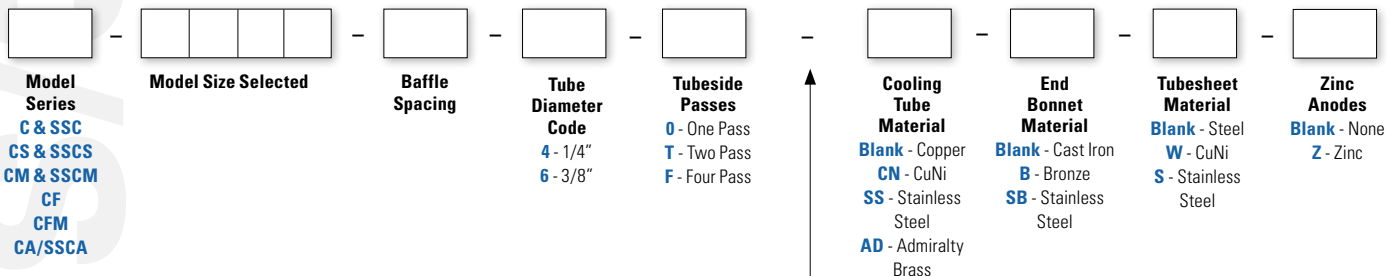
Materials C Series

Tubes Copper
Headers Steel
Shell Steel
Shell Connections Steel
Baffles Brass
End Bonnets Cast Iron
Mounting Brackets Steel
Gaskets Nitrile Rubber/Cellulose Fiber
Nameplate Aluminum Foil

Materials SSC Series

Tubes 316 Stainless Steel
Tubesheets 316 L Stainless Steel
Shell 316 L Stainless Steel
Shell Connections 316 L Stainless Steel
Baffles 316 Stainless Steel
End Bonnets 316 Stainless Steel
Mounting Brackets Mild Steel
Gaskets Nitrile Rubber/Cellulose Fiber
Nameplate Aluminum Foil

How to Order



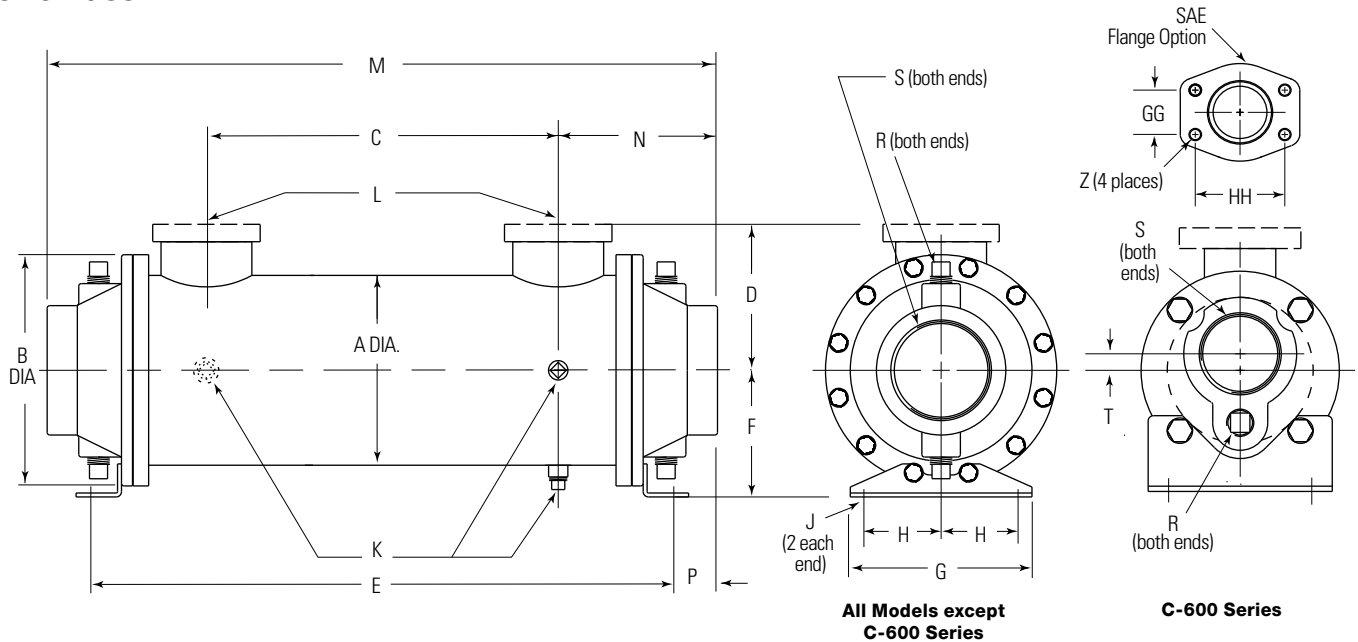
C = NPT Shell side connections; NPT Tube side connections
CS = SAE O-Ring Shell side connections; NPT Tube side connections
CM = BSPP Shell side connections; BSPP Tube side connections
CF = SAE Flange (with UNC threads) Shell side connections; NPT Tube side connections
CFM = SAE Flange (with Metric threads) Shell side connections; BSPP Tube side connections
SSC = NPT Shell side connections; NPT Tube side connections
SSCS = SAE O-Ring Shell side connections; NPT Tube side connections
SSCM = BSPP Shell side connections; BSPP Tube side connections
CA/SSCA = 150# ASME RF Flanges on Shell; NPT Tube side connections

ADD FOR C, CS, CM, CF and CFM MODELS ONLY:
Cooling tube material, end bonnet material, tubesheet material & zinc anodes

Consult factory for ASME Code

Dimensions

One Pass



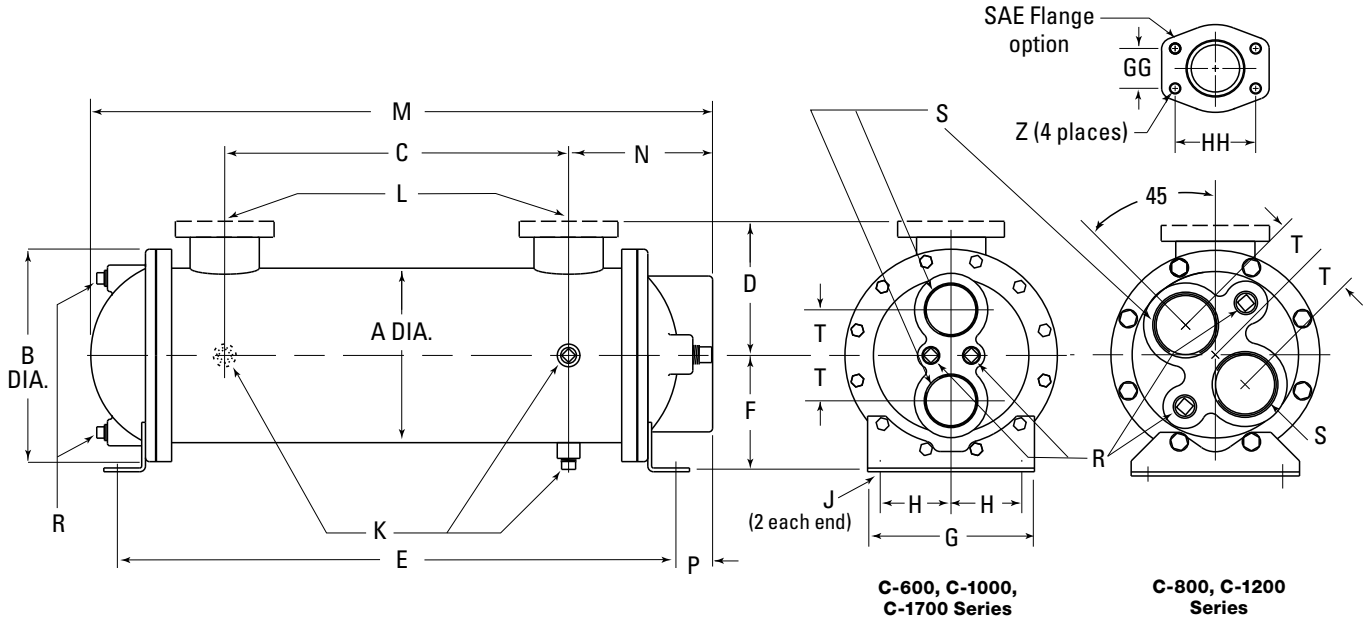
Flange Size	GG	HH	Z - CF	Z - CFM
1	1.03	2.06	3/8-16 UNC	M-10
1.50	1.41	2.75	1/2-13 UNC	M-12
2	1.69	3.06		
3	2.44	4.19	5/8-11 UNC	M-16

MODEL SIZE	A	B	C	D		E	F	G	H	J	K NPT	L		M	N	P	R NPT	S NPT/BSPP	T	
				NPT/BSPP SAE O-RING	SAE FLANGE							NPT/BSPP FLANGE	SAE O-RING							
614	3.25	4.50	10.00	2.62	2.88	16.38	2.75	4.18	1.62	.44 DIA.	(3)	1.00	#16	17.18	3.59	.40	(2)	1.50	.38	
624			20.00			26.38							19/16-12 UNF-2B	27.18						
814	4.25	6.00	9.00	3.25	3.50	16.62	3.50	4.25	1.75	.25	(3)	1.50	#24	17.88	4.44	.63	(2)	.38	2.00	
824			19.00			26.62								17/8-12 UN-2B						27.88
836			31.00			38.62								39.88						
1014	5.25	6.75	9.00	3.75	4.00	17.12	4.00	5.25	2.00	.50	(3)	2.00	#32	19.09	5.05	.92	(4)	.38	2.00	
1024			19.00			27.12								21/2-12 UN-2B						29.09
1036			31.00			39.12								41.09						
1224	6.25	7.75	18.25	4.25	4.88	27.13	4.50	6.25	2.50	.75	(3)	2.00	#32	30.00	5.87	1.43	(4)	.50	3.00	
1236			30.25			39.13								42.00						
1248			42.25			51.13								54.00						
1260			54.25			63.13								66.00						
1724	8.62	10.50	17.00	5.84	6.81	27.50	5.75	8.25	3.50	.62 x .88	(3)	3.00	—	31.47	7.23	1.99	(4)	.50	4.00	
1736			29.00			39.50								43.47						
1748			41.00			51.50								55.47						
1760			53.00			63.50								67.47						
1772			65.00			75.50								79.47						

NOTE: We reserve the right to make reasonable design changes without notice. Consult factory. All dimensions are inches.

Dimensions

Two Pass



Flange Size	GG	HH	Z - CF	Z - CFM
1	1.03	2.06	3/8-16 UNC	M-10
1.50	1.41	2.75	1/2-13 UNC	M-12
2	1.69	3.06		
3	2.44	4.19	5/8-11 UNC	M-16

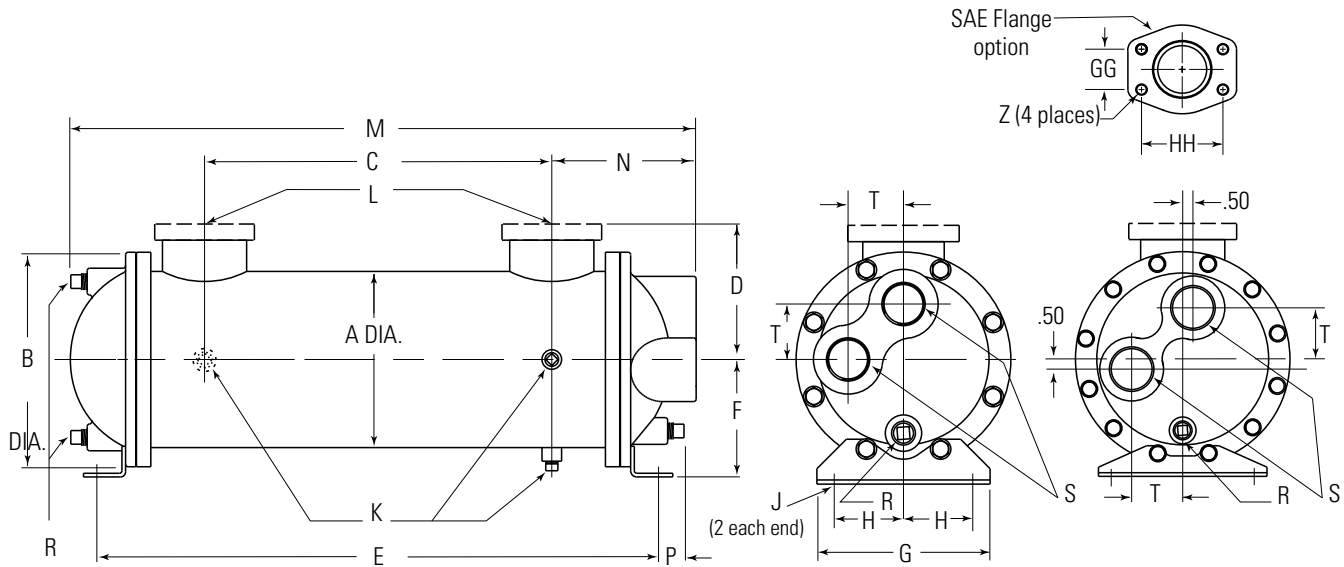
MODEL SIZE	A	B	C	D		E	F	G	H	J	K	L		M	N	P	R	S	T
				NPT/BSPP SAE O-RING	SAE FLANGE							NPT/BSPP FLANGE	SAE O-RING						
614	3.25	4.50	10.00	2.62	2.88	16.38	2.75	4.18	1.62	.44	(3)	1.00	#16 1 ⁵ / ₁₆ -12 UNF-2B	17.12	3.56	.38	(2)	1.00	1.00
624			20.00			26.38								27.12					
814	4.25	6.00	9.00	3.25	3.50	16.62	3.50	4.25	1.75	.50	(3)	1.50	#24 1 ⁷ / ₈ -12 UN-2B	17.88	4.44	.63	.38	1.25	1.06
824			19.00			26.62								27.88					
836			31.00			38.62								39.88					
1014			9.00			17.12								18.62					
1024	5.25	6.75	19.00	3.75	4.00	27.12	4.00	5.25	2.00	.50	(3)	1.50	#24 1 ⁷ / ₈ -12 UN-2B	28.62	5.00	.94	(4)	1.50	1.50
1036			31.00			39.12								40.62					
1224	6.25	7.75	18.25	4.25	4.88	27.13	4.50	6.25	2.50	.75	(3)	2.00	#32 2 ¹ / ₂ -12 UN-2B	29.02	5.43	1.00	(4)	2.00	1.56
1236			30.25			39.13								41.03					
1248			42.25			51.13								53.03					
1260			54.25			63.13								65.03					
1724	8.62	10.50	17.00	5.84	6.81	27.50	5.75	8.25	3.50	.62 x .88	(3)	3.00	-	30.62	7.06	1.81	(4)	2.50	2.25
1736			29.00			39.50								42.62					
1748			41.00			51.50								54.62					
1760			53.00			63.50								66.62					
1772			65.00			75.50								78.62					

NOTE: We reserve the right to make reasonable design changes without notice. Consult factory. All dimensions are inches.

WATER COOLED
C & SSC

Dimensions

Four Pass



All Models except
C-1700 Series

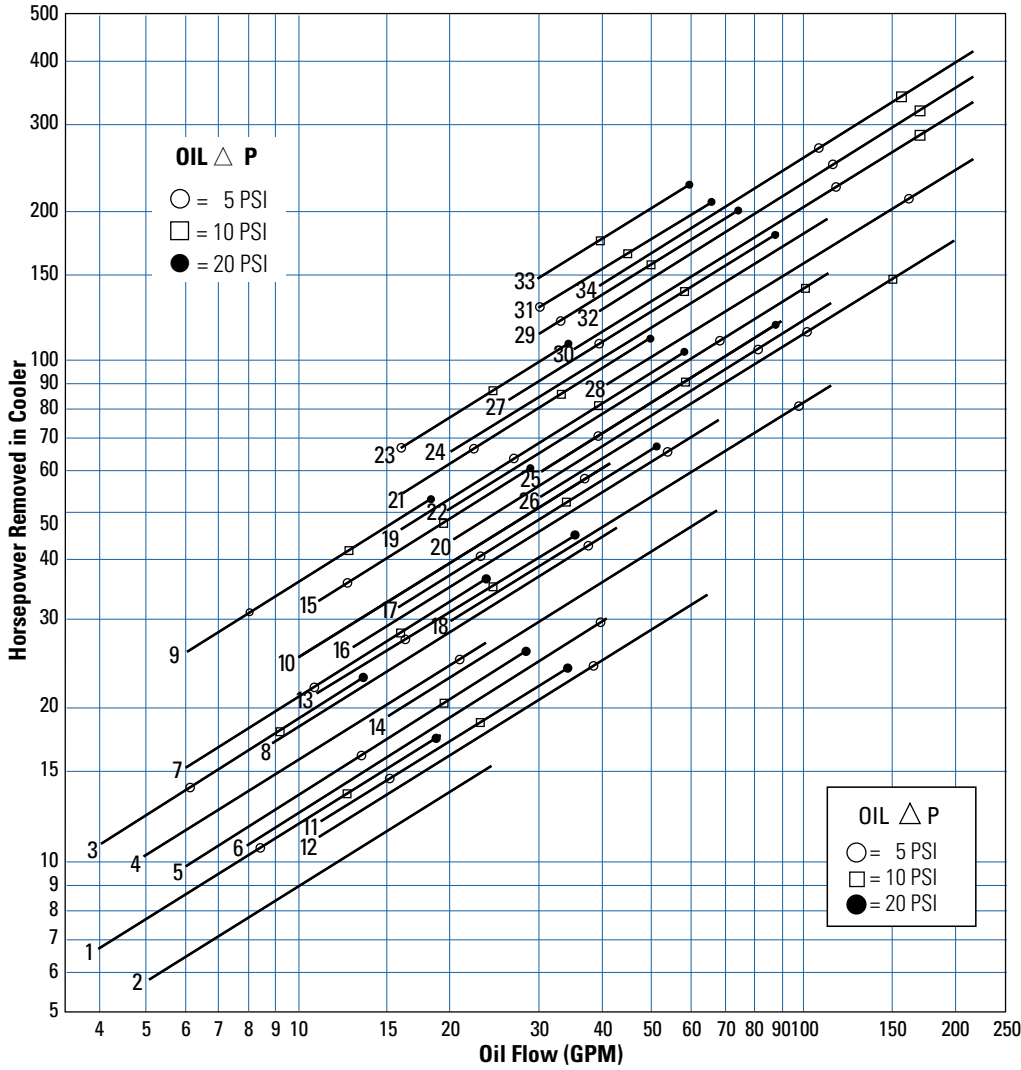
C-1700 Series

Flange Size	GG	HH	Z - CF	Z - CFM
1	1.03	2.06	3/8-16 UNC	M-10
1.50	1.41	2.75	1/2-13 UNC	M-12
2	1.69	3.06		
3	2.44	4.19	5/8-11 UNC	M-16

MODEL SIZE	A	B	C	D		E	F	G	H	J	K NPT	L		M	N	P	R NPT	S NPT/BSPP	T	
				NPT/BSPP SAE O-RING	SAE FLANGE							NPT/BSPP FLANGE	SAE O-RING							
614	3.25	4.50	10.00	2.62	2.88	16.38	2.75	4.18	1.62	.44	(3)	1.00	#16	17.12	3.56	.38	(2)	.38	1.00	
624			20.00			26.38							15/16-12 UNF-2B	27.12						
814	4.25	6.00	9.00	3.25	3.50	16.62	3.50	4.25	1.75	.44	(3)	1.50	#24	17.88	4.44	.63	(3)	.75	1.25	
824			19.00			26.62								17/8-12 UN-2B						27.88
836			31.00			38.62								39.88						
1014	5.25	6.75	9.00	3.75	4.00	17.12	4.00	5.25	2.00	.50	(3)	2.00	#32	18.81	4.81	.75	(3)	1.00	1.69	
1024			19.00			27.12								21/2-12 UN-2B						28.81
1036			31.00			39.12				.75				40.81						
1224	6.25	7.75	18.25	4.25	4.88	27.13	4.50	6.25	2.50	.50	(3)	2.00	#32	29.13	5.44	1.00	(3)	1.50	2.00	
1236			30.25			39.13								21/2-12 UN-2B						41.13
1248			42.25			51.13								53.13						
1260			54.25			63.13								65.13						
1724	8.62	10.50	17.00	5.84	6.81	27.50	5.75	8.25	3.50	.62	(3)	3.00	-	29.86	7.06	1.81	(3)	2.00	2.50	
1736			29.00			39.50								41.86						
1748			41.00			51.50								53.86						
1760			53.00			63.50								65.86						
1772			65.00			75.50								77.86						

NOTE: We reserve the right to make reasonable design changes without notice. Consult factory. All dimensions are inches.

Performance Curves



Model	Ship Wt. (lbs)
1. C/SSC-614-1.3-4-F	17
2. C/SSC-614-3-4-F	17
3. C/SSC-624-1.3-4-F	24
4. C/SSC-624-3-4-F	24
5. C/SSC-814-1.7-4-F	32
6. C/SSC-814-4-4-F	32
7. C/SSC-824-1.7-4-F	41
8. C/SSC-824-4-4-F	41
9. C/SSC-836-1.7-4-F	53
10. C/SSC-836-4-4-F	53
11. C/SSC-1014-2-6-F	43
12. C/SSC-1014-5-6-F	43
13. C/SSC-1024-2-6-F	57
14. C/SSC-1024-5-6-F	57
15. C/SSC-1036-2-6-F	72
16. C/SSC-1036-5-6-F	72
17. C/SSC-1224-2.5-6-F	85
18. C/SSC-1224-6-6-F	85
19. C/SSC-1236-2.5-6-F	110
20. C/SSC-1236-6-6-F	110
21. C/SSC-1248-2.5-6-F	135
22. C/SSC-1248-6-6-F	135
23. C/SSC-1260-2.5-6-F	160
24. C/SSC-1260-6-6-F	160
25. C/SSC-1724-3.5-6-F	140
26. C/SSC-1724-8.4-6-F	140
27. C/SSC-1736-3.5-6-F	180
28. C/SSC-1736-8.4-6-F	180
29. C/SSC-1748-3.5-6-F	220
30. C/SSC-1748-8.4-6-F	220
31. C/SSC-1760-3.5-6-F	260
32. C/SSC-1760-8.4-6-F	260
33. C/SSC-1772-3.5-6-F	300
34. C/SSC-1772-8.4-6-F	300

*Shipping Weights are approximate

WATER COOLED
C & SSC

C/SSC

Selection Procedure

Performance Curves are based on 100SSU oil leaving the cooler 40°F higher than the incoming water temperature (40°F approach temperature). Curves are based on a 2:1 oil to water ratio.

Step 1 Determine the Heat Load. This will vary with different systems, but typically coolers are sized to remove 25 to 50% of the input nameplate horsepower. (Example: 100 HP Power Unit x .33 = 33 HP Heat load.)

If BTU/Hr. is known: $HP = \frac{BTU/Hr}{2545}$

Step 2 Determine Approach Temperature.

Desired oil leaving cooler °F – Water Inlet temp. °F = $\frac{\text{Actual}}{\text{Approach}}$

Step 3 Determine Curve Horsepower Heat Load. Enter the information from above:

HP heat load x $\frac{40}{\text{Actual Approach}}$ x $\frac{\text{Viscosity}}{\text{Correction A}}$ = $\frac{\text{Curve}}{\text{Horsepower}}$

Step 4 Enter curves at oil flow through cooler and curve horsepower. Any curve above the intersecting point will work.

Step 5 Determine Oil Pressure Drop from Curves. Multiply pressure drop from curve by correction factor B found on oil viscosity correction curve.

○ = 5 PSI □ = 10 PSI ● = 20 PSI

Oil Temperature

Oil coolers can be selected by using entering or leaving oil temperatures.

Typical operating temperature ranges are:

Hydraulic Motor Oil	110°F - 130°F
Hydrostatic Drive Oil	130°F - 180°F
Lube Oil Circuits	110°F - 130°F
Automatic Transmission Fluid	200°F - 300°F

Desired Reservoir Temperature

Return Line Cooling: Desired temperature is the oil temperature leaving the cooler. This will be the same temperature that will be found in the reservoir.

Off-Line Recirculation Cooling Loop: Desired temperature is the temperature entering the cooler. In this case, the oil temperature change must be determined so that the actual oil leaving temperature can be found. Calculate the oil temperature change (Oil ΔT) with this formula:

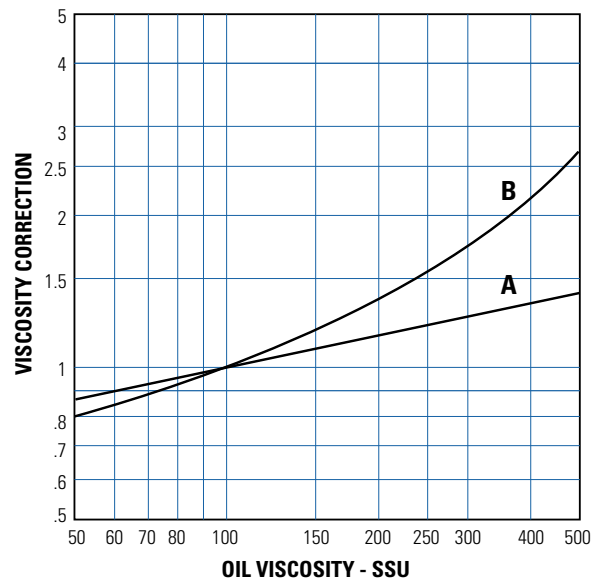
Oil ΔT = (BTU's/Hr.)/GPM Oil Flow x 210).

To calculate the oil leaving temperature from the cooler, use this formula:

Oil Leaving Temperature = Oil Entering Temperature - Oil ΔT.

This formula may also be used in any application where the only temperature available is the entering oil temperature.

Oil Pressure Drop: Most systems can tolerate a pressure drop through the heat exchanger of 20 to 30 PSI. Excessive pressure drop should be avoided. Care should be taken to limit pressure drop to 5 PSI or less for case drain applications where high back pressure may damage the pump shaft seals.



Maximum Flow Rates

Example Model No.

C/SSC - 1024 - 2 - 6 - F

Unit Size	Baffle Spacing	Shell Side (GPM)	Tube Side (GPM)		
			O	T	F
600	1.3, 3	19, 29	48	24	12
800	1.7, 4	32, 69	84	42	21
1000	2, 5	41, 69	146	73	37
1200	2.5, 6	60, 115	224	112	56
1700	3.5, 8.4	125, 253	465	232	116

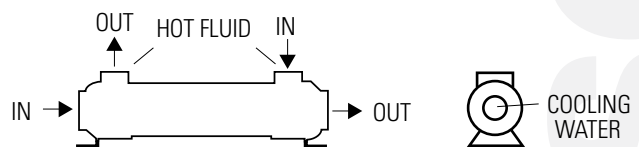
Exceptions to Maximum Shell Side Flows

C/SSC-814-4-4-*	63 GPM Max.
C/SSC-1014-2-6-*	33 GPM Max.
C/SSC-1014-5-6-*	66 GPM Max.
C/SSC-1724-3.5-6-*	105 GPM Max.
C/SSC-1724-8.4-6-*	200 GPM Max.

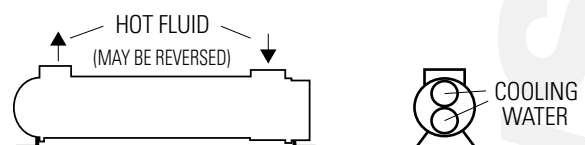
Caution: Incorrect installation can cause this product to fail prematurely, causing the shell side and tube side fluids to intermix.

Piping Hook-up

One Pass



Two and Four Pass



Specific applications may have different piping arrangements. Contact factory for assistance.